

Baseplates

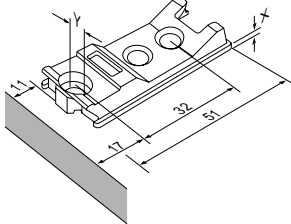
Straight Baseplates and Face Frame Adapters For 3000 Series

- 3000 Snap-on baseplate system
- Straight and wing baseplates available in screw-on, dowelled and pre-mounted Euro screw
- Face Frame adapter plates for frame applications



Screw-On Baseplates

Zinc baseplate
Attach with #6 x 5/8"



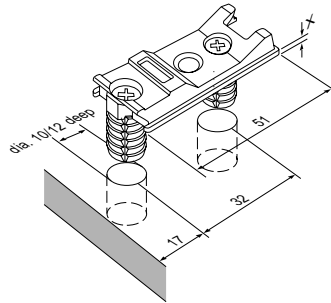
Straight Baseplates Screw-On

Description	Item #
G3/AZ 1.3/5.2	10717*
G3/AZ 4.3/5.2	60174
G3/AZ 4.3/5.2	60175*
G3/AZ 9.3/5.2	12355

Packaging: 500 pieces
(50 pieces per interior bag)
* 1000 pieces
(50 pieces per interior bag)

Dowel Baseplates

Zinc baseplate for automatic insertion



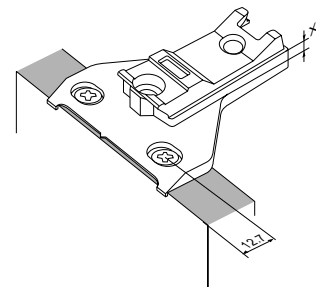
Straight Baseplates Dowelled

Description	Item #
G3/DZK 1.3/17	10722*
G3/DZK 4.3/17	60176
G3/DZK 9.3/17	11519

Packaging: 500 pieces
(50 pieces per interior bag)
* 1000 pieces
(50 pieces per interior bag)

Face Frame Adapters

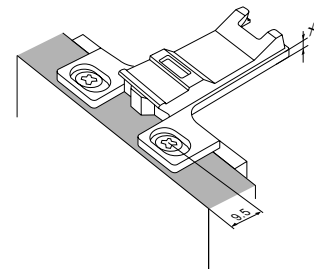
Face Frame Adapter: FFA
Attach with 2x #6 x 5/8" FHP



Face Frame Adapter

Description	Item #
G3/FFA 4.3mm	13159
G3/FFA 7.3mm	13160

Face Frame Adapter With Lip: FFAL
Attach with 4 x #6 x 5/8" FHP



Face Frame Adapter with Lip

Description	Item #
G3/FFAL 2.6mm	13158

Packaging : 300 pieces
(50 pieces per interior bag)

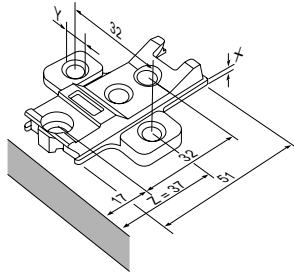
G3 = Snap-on Baseplate for 3000 Series, AZ = Straight, zinc die cast, DZK = 10mm dowels attached
FFA = Face Frame Adapter, FFAL = Face Frame Adapter with lip

For overlay chart see page 66.

Wing Baseplates For 3000 Series

Wing Baseplates - Screw-on

Zinc die cast, for use with wood screws or loose Euro screws
 Attach with #6 x 5/8" FHP, 13mm Euro screw



Wing Baseplates
Screw-On

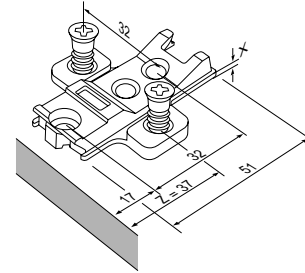
Description	Item #	Bulk Item #
G3/RZ 1.3/5.2/37 Nickel	10759	10760
G3/RZ 4.3/5.2/37 Nickel	10763	10764
G3/RZ 9.3/5.2/37 Nickel	10767	10768
G3/RZ 12.3/5.2/37 Nickel	30532	
G3/RZ 20.0/5.2/37 Nickel	30534	
G3/RZ 1.3/5.2/37 RAW		28073
G3/RZ 4.3/5.2/37 RAW		28074
G3/RZ 9.3/5.2/37 RAW		28075

Wing Baseplates
Euro Screw

Description	Item #	Bulk Item #
G3/RZ 1.3/6.8/37 Nickel	10761	10762
G3/RZ 4.3/6.8/37 Nickel	10765	10766
G3/RZ 9.3/6.8/37 Nickel	10769	10770
G3/RZ 12.3/6.5/37 Nickel	30533	
G3/RZ 20.0/6.5/37 Nickel	30535	
G3/RZ 1.3/6.5/37 RAW		28076
G3/RZ 4.3/6.5/37 RAW		28077
G3/RZ 9.3/6.5/37 RAW		28078
G3/RUK 3mm Wing Spacer	13462	

Wing Baseplates -
Pre-attached Euro screw

Zinc die cast, pre-attached Euro screws for easier handling



Wing Baseplates
Pre-attached Euro Screw

Description	Item #	Bulk Item #
G3/RZ 1.3/ES/37 Nickel	12643	06665
G3/RZ 4.3/ES/37 Nickel	10191	06668
G3/RZ 9.3/ES/37 Nickel	17672	06671
G3/RZ 1.3/ES/37 RAW		28079
G3/RZ 4.3/ES/37 RAW		28080
G3/RZ 9.3/ES/37 RAW		28081

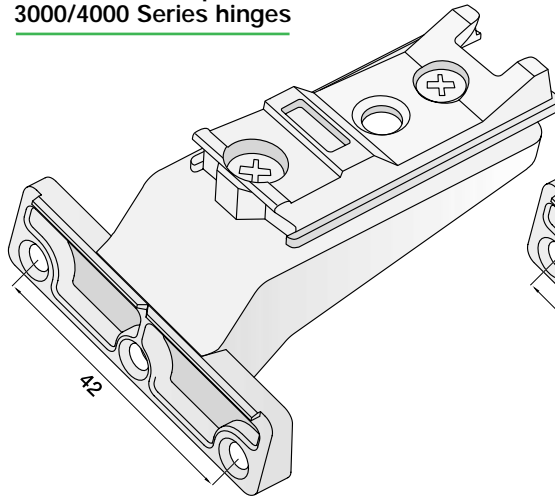
Packaging: Note packaging indicator (2 digit no. following hyphen.)
 54 = 1000 pieces (50 pieces per interior bag)
 53 = 500 pieces (50 pieces per interior bag)
 52 = 300 pieces (50 pieces per interior bag)
 21 = 1000 pieces bulk
 17 = 500 pieces bulk
 41 = 50 per bag

G3 = Snap-on baseplate for 3000 series, ES = Pre-attached Euro screw, RZ = Wing, zinc die cast, RAW = Unplated baseplates

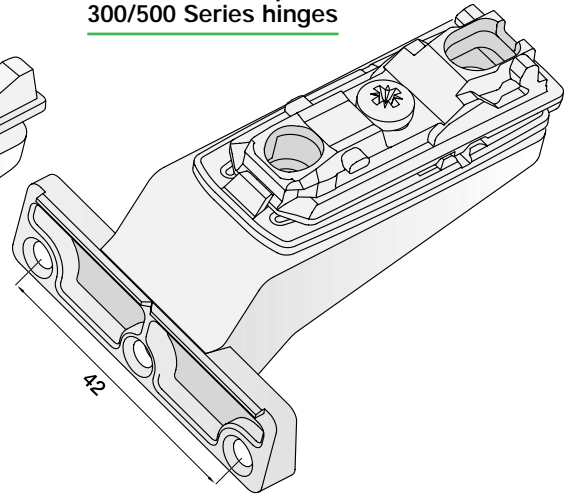
Note: To ensure maximum holding power, all screw holes must be utilized in all versions of baseplates

FACE FRAME ADAPTER PLATES FOR INSET APPLICATIONS

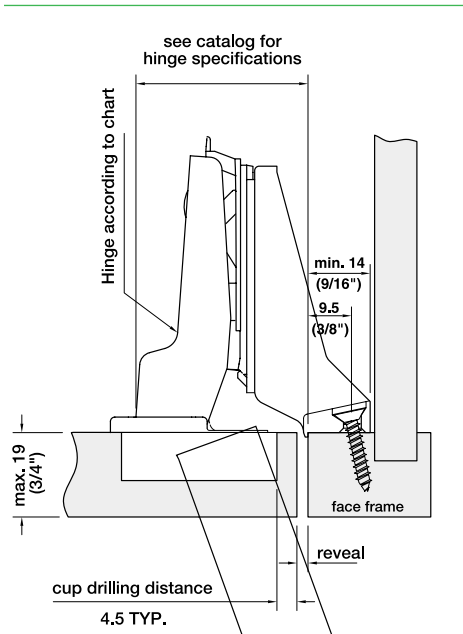
**Face Frame Adapter for
3000/4000 Series hinges**



**Face Frame Adapter for
300/500 Series hinges**



Application Measurements



Attach with 2 #6 x 3/4" FHP screws. A third hole is available that will accept a #6 x 3/4" RHP screw.

Hinge Requirement Chart

Selected Hinge	Required Baseplate	Item #
374,394	B6H/FFA/Inset 0	39181
373,393	B6H/FFA/Inset 8	39182
3604,3704,3904	G3/FFA/Inset 1.3mm	39183
3603,3703,3903	G3/FFA/Inset 9.3mm	39184
Standard cup drilling distance: 4.5mm		

Ordering Information

Description	Item #
B6H/FFA/Inset 0 (25/300)	39181
B6H/FFA/Inset 8 (25/300)	39182
G3/FFA/Inset 1.3mm (25/300)	39183
G3/FFA/Inset 9.3mm (25/300)	39184
FFA Inset Drill Template	31035